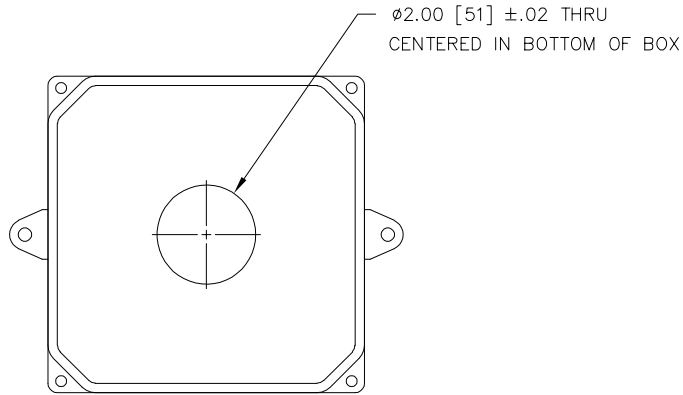
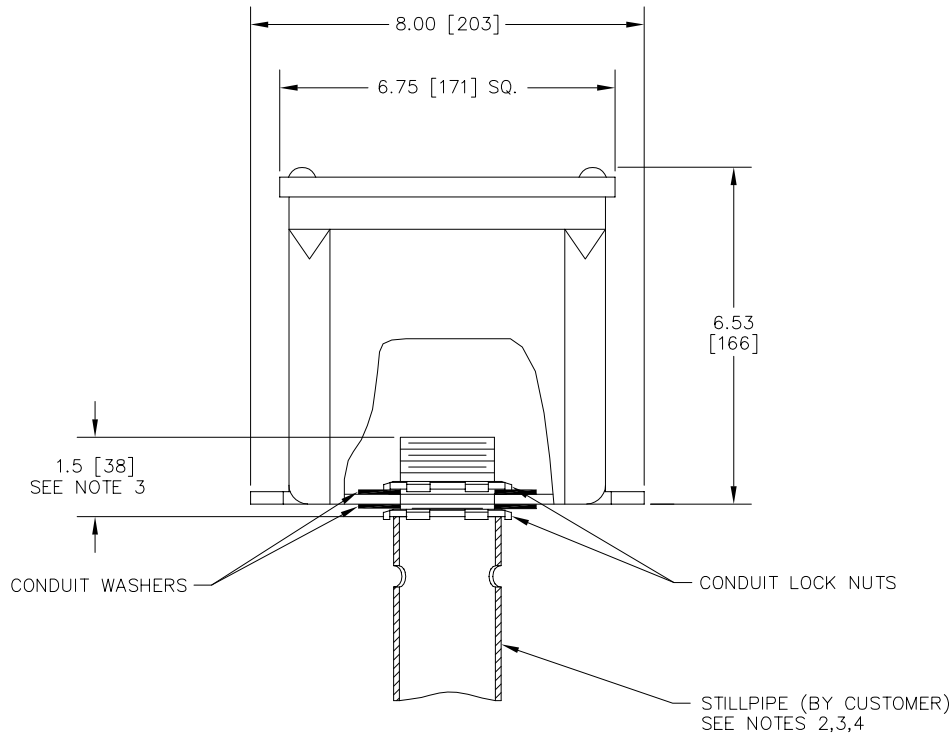
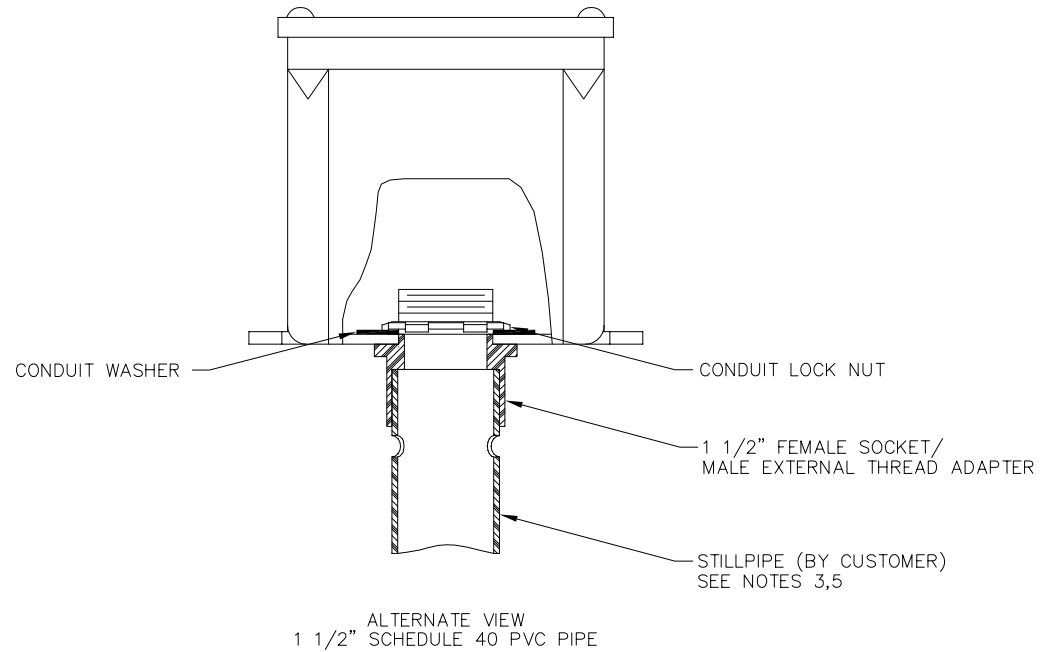


REV	REVISIONS	DATE	APP'D
A	ORIGINAL RELEASE	7/93	EDC
B	CHANGED PER ECO 1181	3/94	DAS
C	CHANGED PER ECO 1645	10/95	DAS
D	CHANGED PER ECO # 1748	2/96	DAS



SHOWN WITH COVER REMOVED



NOTES:

- COVER, GASKET, SCREWS, CONDUIT LOCK NUTS, AND CONDUIT WASHERS SUPPLIED. STILLPIPE BY OTHERS.
- STILLPIPE MUST BE 1 1/2" OR LARGER.
- STILLPIPE MUST TERMINATE WITH 1 1/2" NPT THREAD, WHICH MUST EXTEND 1 1/2" ALONG PIPE IN ORDER FOR CONDUIT LOCK NUTS TO TIGHTEN PROPERLY.
- IF STILLPIPE IS CONSTRUCTED FROM 1 1/2" PIPE, SCHEDULE 40 PIPE MUST BE USED. SCHEDULE 80 PIPE IS UNACCEPTABLE AS THE 1.50" I.D. IS TOO SMALL TO ACCOMMODATE THE METRITAPE SENSOR.
- IF 1 1/2" PVC SCHEDULE 40 PIPE IS USED, A FEMALE SOCKET/MALE EXTERNAL THREAD ADAPTER MUST BE USED AS SHOWN IN ALTERNATE VIEW. SCHEDULE 40 PVC PIPE IS NOT RECOMMENDED TO BE THREADED.

DIMENSIONS ARE INCHES ALL METRIC DIMENSIONS ARE DERIVED FROM INCHES		<b>JOWA USA</b>	
.X# .020	? ±1/2	OUTLINE & MOUNTING AGS SENSOR HOUSING 666 SERIES	
.XX# .010		DRN: CBS	7/12/93
.XXX# .005		CKD:	
		APPD: EDC	7/21/93
		NEXT ASSY	USED ON
		SCALE: 1:2	SHEET 1 OF 1
		C 1689400	REV: D